

TPP58WC160N0N0R1W

## SWIVEL CASTOR WITH TOTAL BRAKE Ø 160 MM SERIES N0N0 ROLLER BEARING

### WHEEL

wheel diameter in mm	160
wheel width in mm	50
hub width in mm	59
screw size	M12
tread	polyamide white
wheel center	polyamide white
bearing	roller bearing
threadguard	small metal threadguard
temperature range	-40°C to +80°C



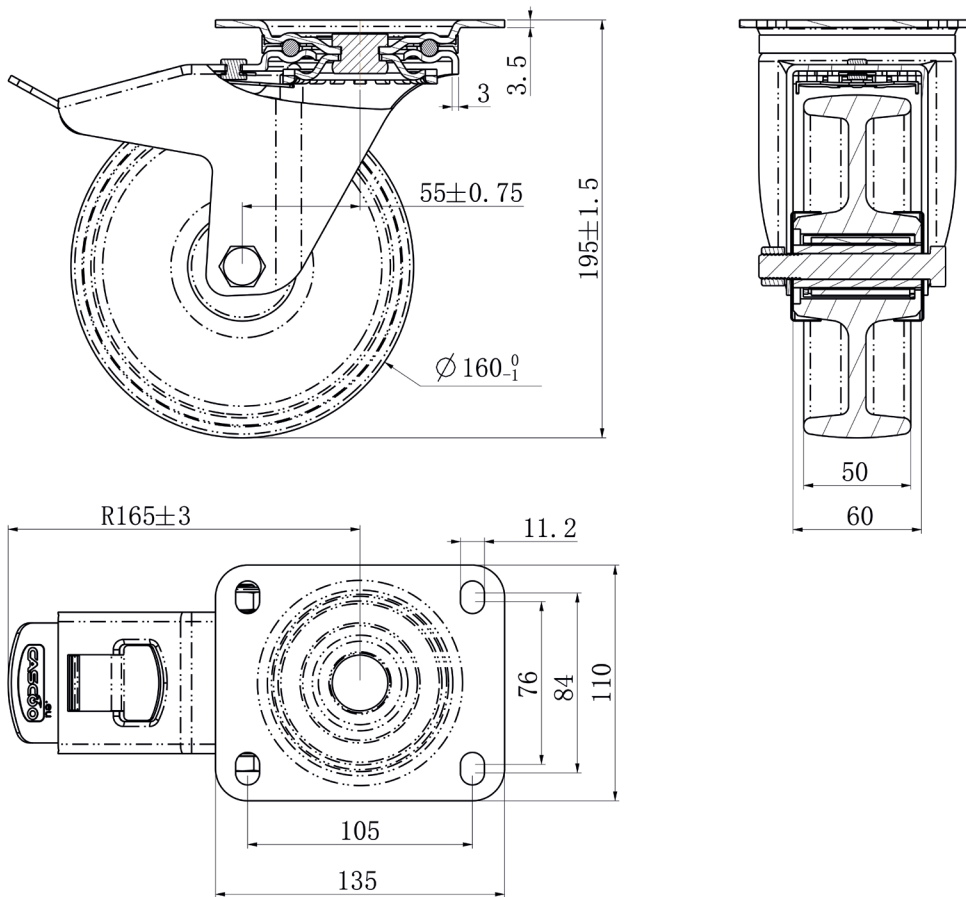
### HOUSING

material thickness fitting in mm	3.50
material thickness fork in mm	3.00
fitting	plate
mounting dimension in mm	105 x 84 / 76
offset dimension in mm	55
total height in mm	195
swivel radius in mm	165
dyn. load capacity in kg	300
test norm	DIN EN 12532



TPP58WC160N0N0R1W

# SWIVEL CASTOR WITH TOTAL BRAKE Ø 160 MM SERIES N0N0 ROLLER BEARING



**CASCOO Europe GmbH**

Lütke Haar 15 • 59602 Rüthen • Germany  
+49 2952 - 970629-0  
info@cascoo.eu • www.cascoo.eu