

TPP31WC125N2U6B32

SWIVEL CASTOR WITH TOTAL BRAKE Ø 125 MM SERIES N2U6 BALL BEARING

WHEEL

wheel diameter in mm	125
wheel width in mm	32
hub width in mm	50
screw size	M10
tread	thermopl. polyurethane 95° shore A red
wheel center	polyamide grey
bearing	ball bearing
threadguard	small nylon threadguard
temperature range	-40°C to +80°C



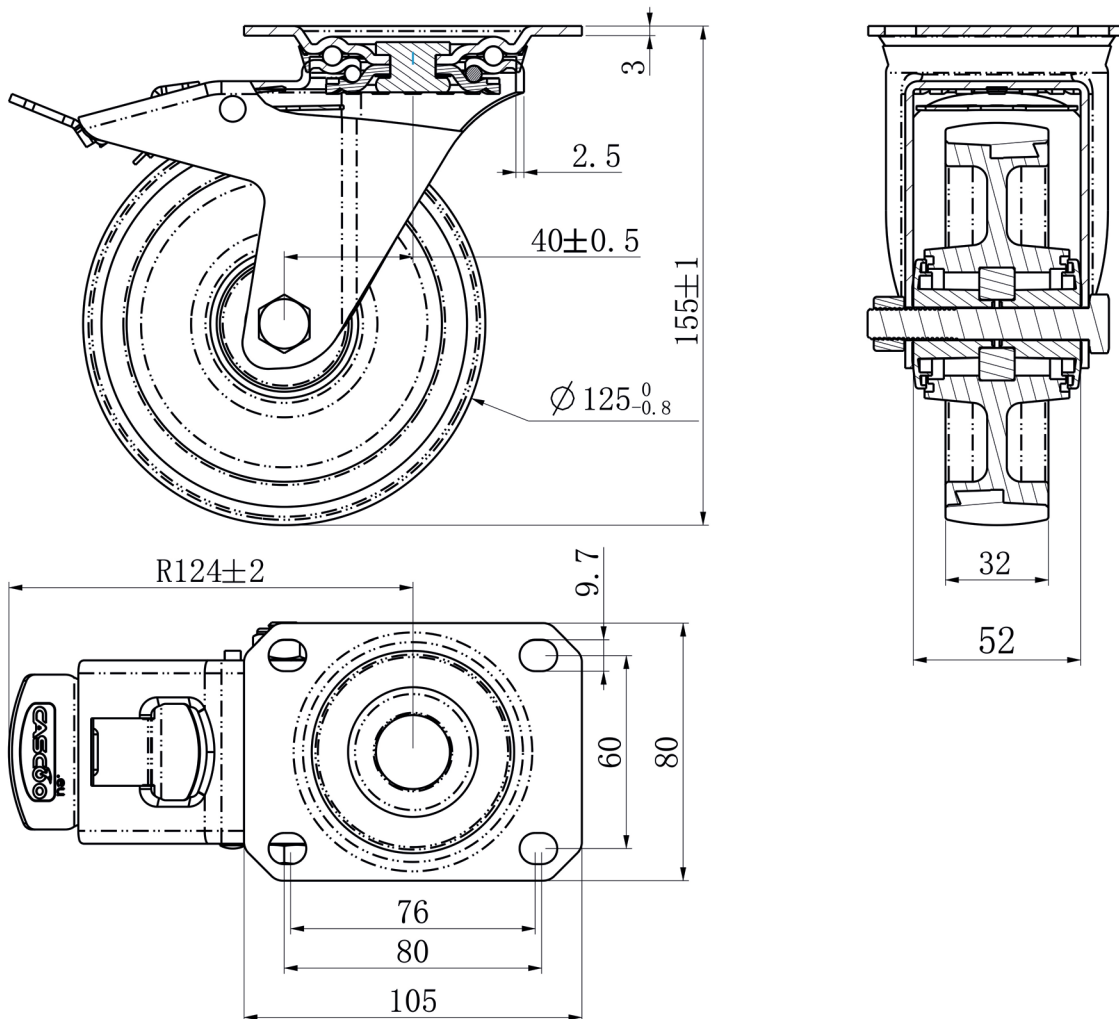
HOUSING

material thickness fitting in mm	3.00
material thickness fork in mm	2.50
fitting	plate
mounting dimension in mm	80 / 77 x 60
offset dimension in mm	45
total height in mm	155
swivel radius in mm	127
dyn. load capacity in kg	200
test norm	DIN EN 12532

**CASCOO Europe GmbH**Lütke Haar 15 • 59602 Rüthen • Germany
+49 2952 - 970629-0
info@cascoo.eu • www.cascoo.eu

TPP31WC125N2U6B32

SWIVEL CASTOR WITH TOTAL BRAKE Ø 125 MM SERIES N2U6 BALL BEARING



CASCOO Europe GmbH

Lütke Haar 15 • 59602 Rüthen • Germany
+49 2952 - 970629-0
info@cascoo.eu • www.cascoo.eu