

TDPE1C0075P2T2P0N

SWIVEL CASTOR WITH TOTAL BRAKE Ø 75 MM SERIES P2T2 PLAIN BEARING

WHEEL

| | |
|----------------------|-----------------------------------|
| wheel diameter in mm | 75 |
| wheel width in mm | 25 |
| hub width in mm | 56 |
| screw size | M8 |
| tread | thermopl. rubber 95° shore A grey |
| wheel center | polypropylene grey |
| bearing | plain bearing |
| threadguard | without separate threadguard |
| temperature range | -20°C to +60°C |



HOUSING

| | |
|----------------------------------|-------------------------|
| material thickness fitting in mm | 3.00 |
| material thickness fork in mm | 2.50 |
| fitting | plate |
| mounting dimension in mm | 61.5 / 56 x 51.5 / 46.5 |
| offset dimension in mm | 32 |
| total height in mm | 100 |
| swivel radius in mm | 96 |
| dyn. load capacity in kg | 100 |
| test norm | DIN EN 12530 |

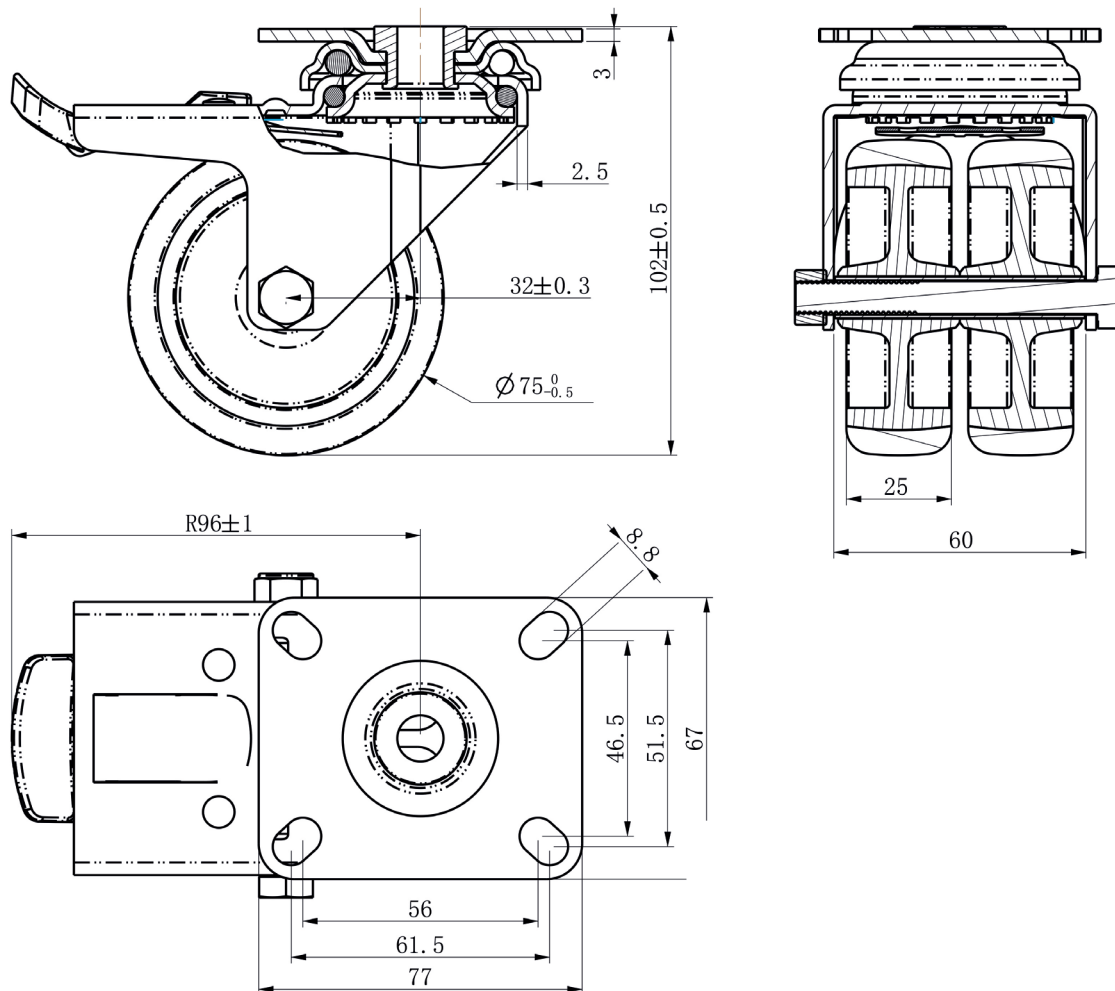


CASCOO Europe GmbH

Lütke Haar 15 • 59602 Rüthen • Germany
+49 2952 - 970629-0
info@cascoo.eu • www.cascoo.eu

TDPE1C0075P2T2P0N

SWIVEL CASTOR WITH TOTAL BRAKE Ø 75 MM SERIES P2T2 PLAIN BEARING



CASCOO Europe GmbH

Lütke Haar 15 • 59602 Rüthen • Germany
+49 2952 - 970629-0
info@cascoo.eu • www.cascoo.eu