

TAPE5C0125P2T2B42

SWIVEL CASTOR WITH TOTAL BRAKE Ø 125 MM SERIES P2T2 BALL BEARING

WHEEL

wheel diameter in mm	125
wheel width in mm	32
hub width in mm	36
screw size	M8
tread	thermopl. rubber 95° shore A grey
wheel center	polypropylene grey
bearing	ball bearing
threadguard	full covering plastic threadguard
temperature range	-20°C to +60°C



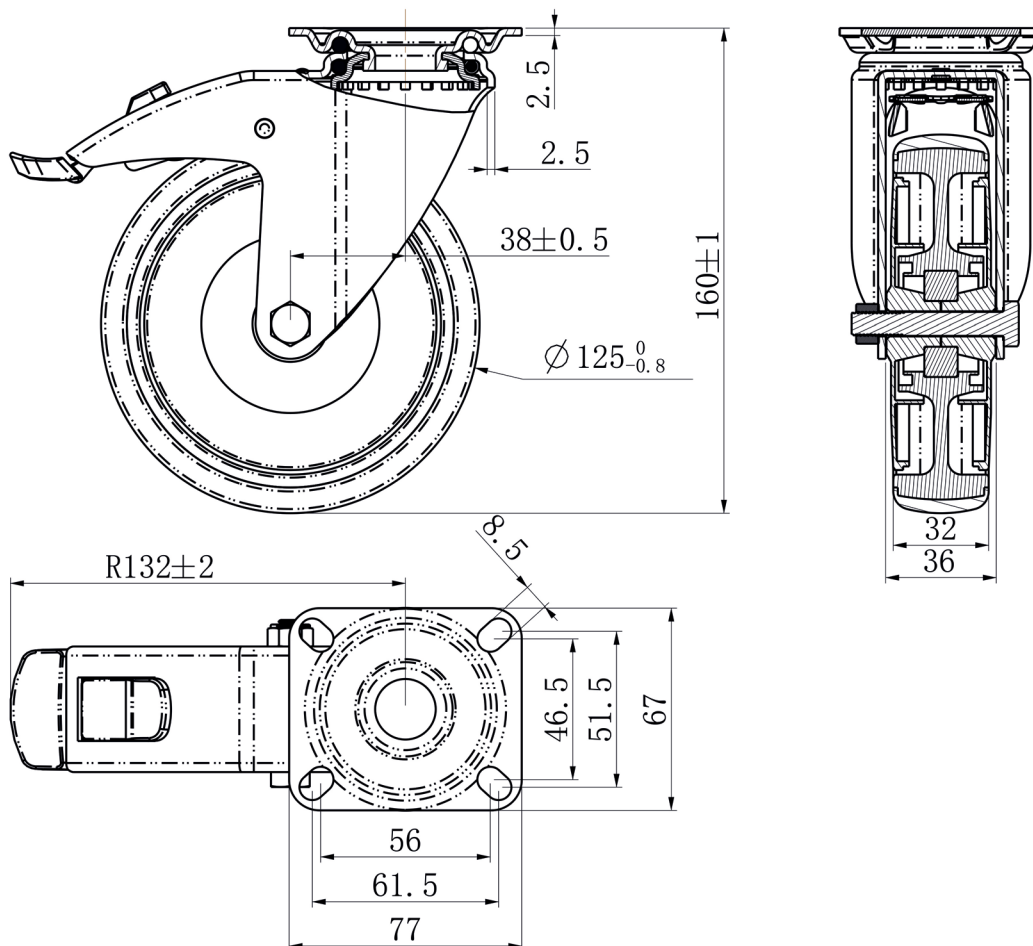
HOUSING

material thickness fitting in mm	2.50
material thickness fork in mm	2.50
fitting	plate
mounting dimension in mm	61.5 / 56 x 51.5 / 46.5
offset dimension in mm	40
total height in mm	160
swivel radius in mm	132
dyn. load capacity in kg	100
test norm	DIN EN 12530



TAPE5C0125P2T2B42

SWIVEL CASTOR WITH TOTAL BRAKE Ø 125 MM SERIES P2T2 BALL BEARING



CASCOO Europe GmbH

Lütke Haar 15 • 59602 Rüthen • Germany
+49 2952 - 970629-0
info@cascoo.eu • www.cascoo.eu