

SIP36SC125P2W2L0N

SWIVEL CASTOR Ø 125 MM SERIES P2W2 PLAIN BEARING STAINLESS STEEL

WHEEL

| | |
|----------------------|-----------------------------------|
| wheel diameter in mm | 125 |
| wheel width in mm | 32 |
| hub width in mm | 50 |
| screw size | M8 |
| tread | thermopl. rubber 95° shore A grey |
| wheel center | polypropylene grey |
| bearing | plain bearing stainless steel |
| threadguard | without separate threadguard |
| temperature range | -20°C to +60°C |



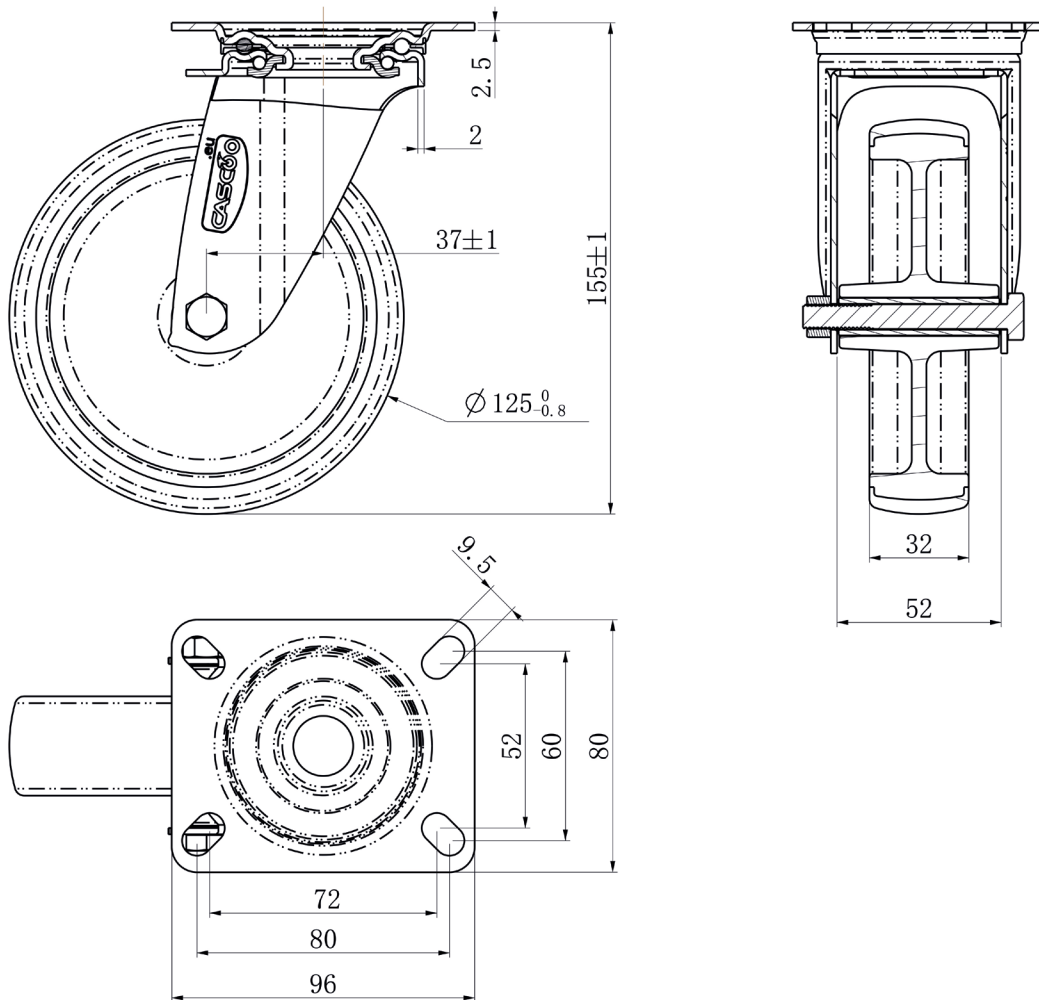
HOUSING

| | |
|----------------------------------|--------------|
| material thickness fitting in mm | 2.50 |
| material thickness fork in mm | 2.00 |
| fitting | plate |
| mounting dimension in mm | 80 / 77 x 60 |
| offset dimension in mm | 40 |
| total height in mm | 155 |
| swivel radius in mm | 0 |
| dyn. load capacity in kg | 100 |
| test norm | DIN EN 12532 |



SIP36SC125P2W2L0N

SWIVEL CASTOR Ø 125 MM SERIES P2W2 PLAIN BEARING STAINLESS STEEL



CASCOO Europe GmbH

Lütke Haar 15 • 59602 Rüthen • Germany
+49 2952 - 970629-0
info@cascoo.eu • www.cascoo.eu