

SAPE5C0125P2T2B42

SWIVEL CASTOR Ø 125 MM SERIES P2T2 BALL BEARING

WHEEL

wheel diameter in mm	125
wheel width in mm	32
hub width in mm	36
screw size	M8
tread	thermopl. rubber 95° shore A grey
wheel center	polypropylene grey
bearing	ball bearing
threadguard	full covering plastic threadguard
temperature range	-20°C to +60°C



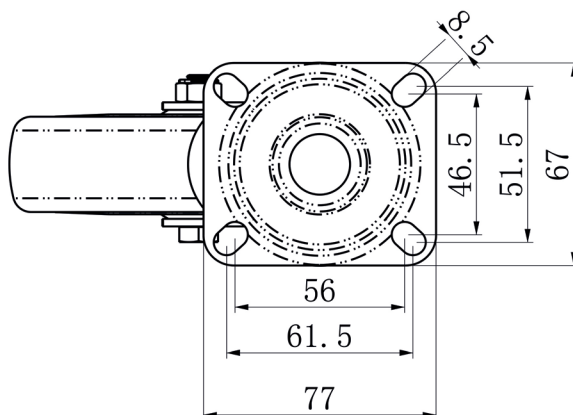
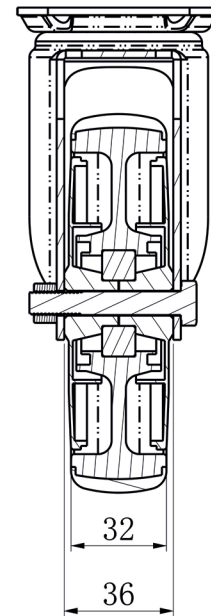
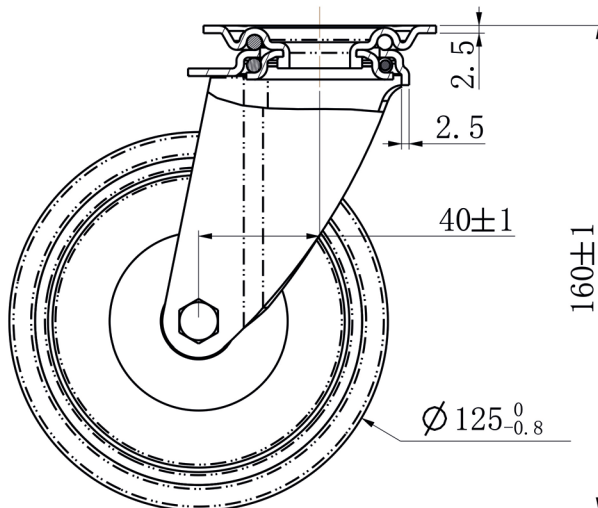
HOUSING

material thickness fitting in mm	2.50
material thickness fork in mm	2.50
fitting	plate
mounting dimension in mm	61.5 / 56 x 51.5 / 46.5
offset dimension in mm	40
total height in mm	160
swivel radius in mm	0
dyn. load capacity in kg	100
test norm	DIN EN 12530



SAPE5C0125P2T2B42

SWIVEL CASTOR Ø 125 MM SERIES P2T2 BALL BEARING



CASCOO Europe GmbH

Lütke Haar 15 • 59602 Rüthen • Germany
+49 2952 - 970629-0
info@cascoo.eu • www.cascoo.eu