



HSH12C0100P2T2P0N

## BOLT HOLE SWIVEL CASTOR Ø 100 MM SERIES P2T2 PLAIN BEARING

### WHEEL

wheel diameter in mm	100
wheel width in mm	23
hub width in mm	36
screw size	M6
tread	thermopl. rubber 95° shore A grey
wheel center	polypropylene grey
bearing	plain bearing
threadguard	without separate threadguard
temperature range	-20°C to +60°C



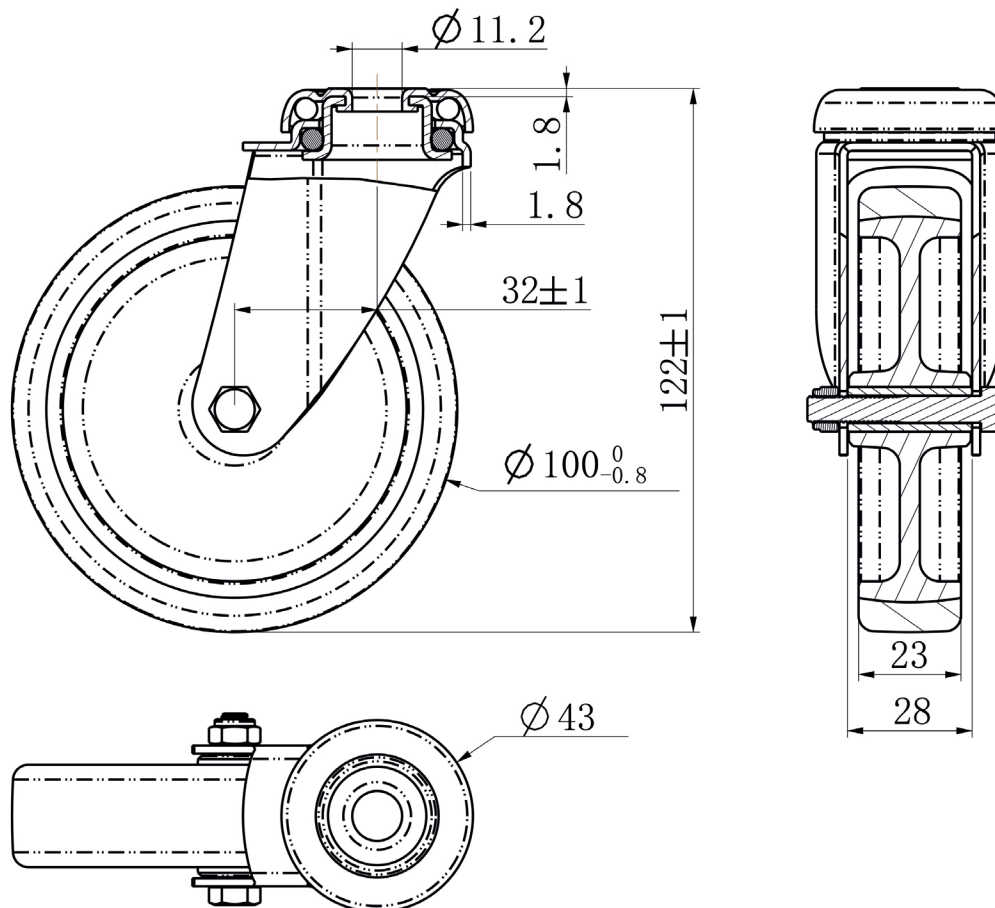
### HOUSING

material thickness fitting in mm	2.00
material thickness fork in mm	2.00
fitting	bolt hole
mounting dimension in mm	11
offset dimension in mm	32
total height in mm	122
swivel radius in mm	0
dyn. load capacity in kg	60
test norm	DIN EN 12530



HSH12C0100P2T2P0N

# BOLT HOLE SWIVEL CASTOR Ø 100 MM SERIES P2T2 PLAIN BEARING



**CASCOO Europe GmbH**

Lütke Haar 15 • 59602 Rüthen • Germany  
+49 2952 - 970629-0  
info@cascoo.eu • www.cascoo.eu