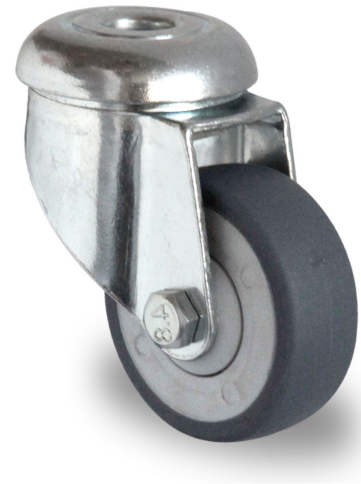


HAH19C0050P2T2B42

BOLT HOLE SWIVEL CASTOR Ø 50 MM SERIES P2T2 BALL BEARING

WHEEL

wheel diameter in mm	50
wheel width in mm	19
hub width in mm	22
screw size	M6
tread	thermopl. rubber 95° shore A grey
wheel center	polypropylene grey
bearing	ball bearing
threadguard	full covering plastic threadguard
temperature range	-20°C to +60°C



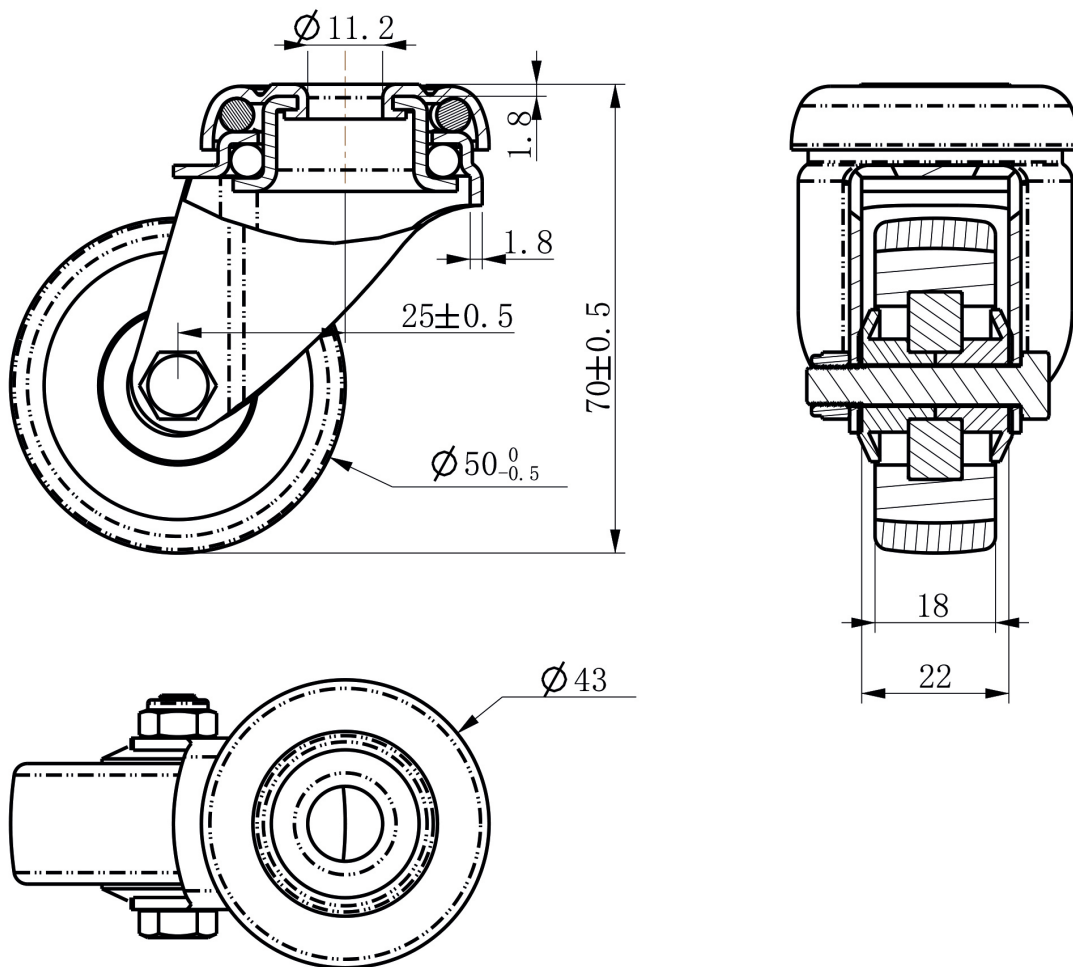
HOUSING

material thickness fitting in mm	2.00
material thickness fork in mm	1.80
fitting	bolt hole
mounting dimension in mm	11
offset dimension in mm	25
total height in mm	70
swivel radius in mm	0
dyn. load capacity in kg	50
test norm	DIN EN 12530



HAH19C0050P2T2B42

BOLT HOLE SWIVEL CASTOR Ø 50 MM SERIES P2T2 BALL BEARING



CASCOO Europe GmbH

Lütke Haar 15 • 59602 Rüthen • Germany
+49 2952 - 970629-0
info@cascoo.eu • www.cascoo.eu