

BPH98WC160N0N0P0N

## BOLT HOLE SWIVEL CASTOR WITH TOTAL BRAKE Ø 160 MM SERIES N0N0 PLAIN BEARING

### WHEEL

wheel diameter in mm	160
wheel width in mm	50
hub width in mm	59
screw size	M12
tread	polyamide white
wheel center	polyamide white
bearing	plain bearing
threadguard	without separate threadguard
temperature range	-40°C to +80°C



### HOUSING

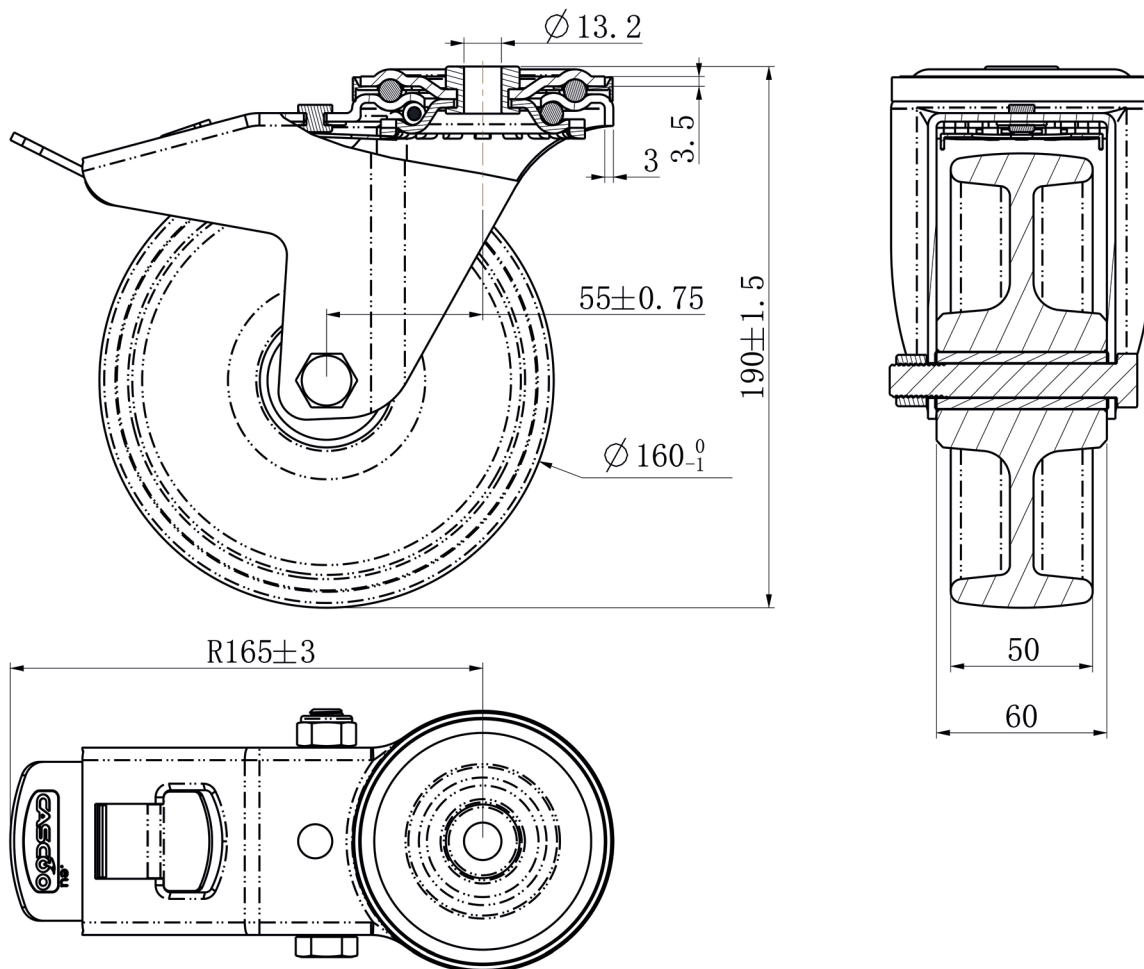
material thickness fitting in mm	3.50
material thickness fork in mm	3.00
fitting	bolt hole
mounting dimension in mm	13
offset dimension in mm	55
total height in mm	189
swivel radius in mm	165
dyn. load capacity in kg	250
test norm	DIN EN 12532

**CASCOO Europe GmbH**

Lütke Haar 15 • 59602 Rüthen • Germany  
+49 2952 - 970629-0  
info@cascoo.eu • www.cascoo.eu

BPH98WC160N0N0P0N

# BOLT HOLE SWIVEL CASTOR WITH TOTAL BRAKE Ø 160 MM SERIES N0N0 PLAIN BEARING



**CASCOO Europe GmbH**

Lütke Haar 15 • 59602 Rüthen • Germany  
+49 2952 - 970629-0  
info@cascoo.eu • www.cascoo.eu