

BBH85WC125N0N0R1W

BOLT HOLE SWIVEL CASTOR WITH TOTAL BRAKE Ø 125 MM SERIES N0N0 ROLLER BEARING

WHEEL

wheel diameter in mm	125
wheel width in mm	38
hub width in mm	50
screw size	M10
tread	polyamide white
wheel center	polyamide white
bearing	roller bearing
threadguard	small metal threadguard
temperature range	-40°C to +80°C



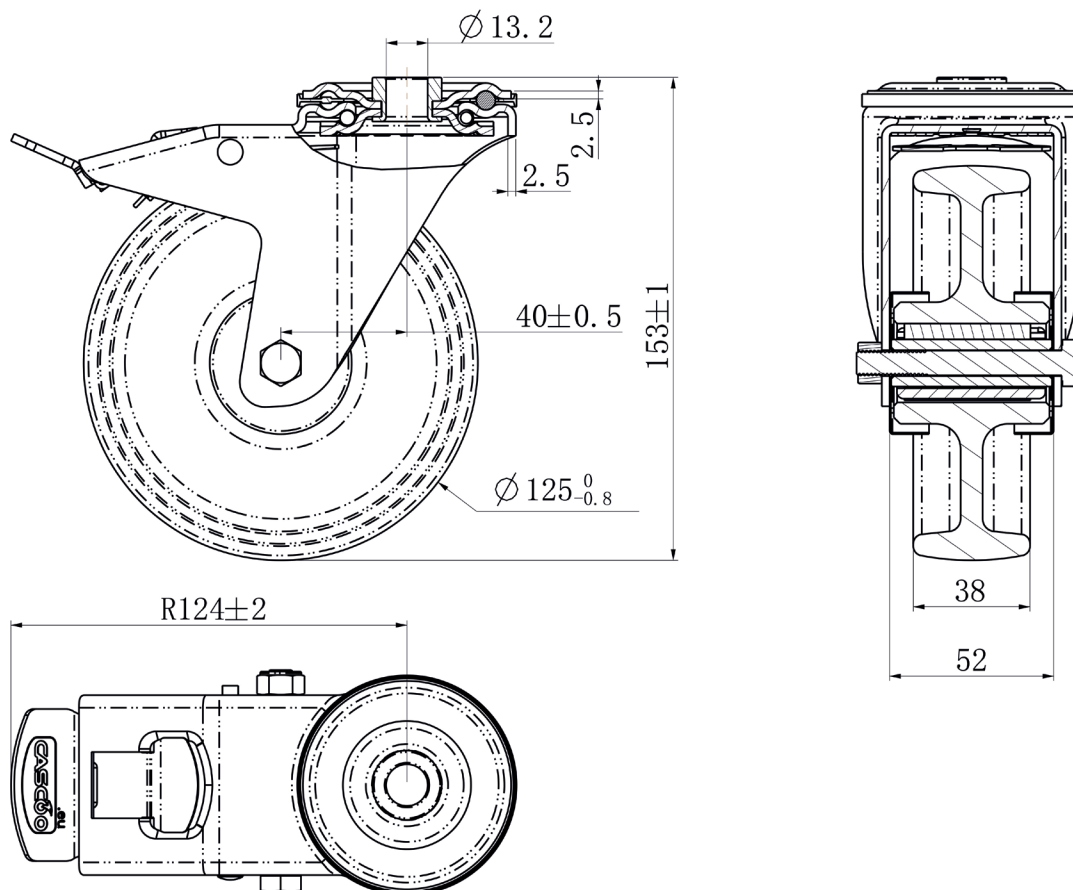
HOUSING

material thickness fitting in mm	2.50
material thickness fork in mm	2.50
fitting	bolt hole
mounting dimension in mm	13
offset dimension in mm	40
total height in mm	154
swivel radius in mm	127
dyn. load capacity in kg	150
test norm	DIN EN 12532



BBH85WC125N0N0R1W

BOLT HOLE SWIVEL CASTOR WITH TOTAL BRAKE Ø 125 MM SERIES N0N0 ROLLER BEARING



CASCOO Europe GmbH

Lütke Haar 15 • 59602 Rüthen • Germany
+49 2952 - 970629-0
info@cascoo.eu • www.cascoo.eu