

BBH35WC100N0N0R1W

BOLT HOLE SWIVEL CASTOR WITH TOTAL BRAKE Ø 100 MM SERIES N0N0 ROLLER BEARING

WHEEL

wheel diameter in mm	100
wheel width in mm	36
hub width in mm	40
screw size	M8
tread	polyamide white
wheel center	polyamide white
bearing	roller bearing
threadguard	small metal threadguard
temperature range	-40°C to +80°C



HOUSING

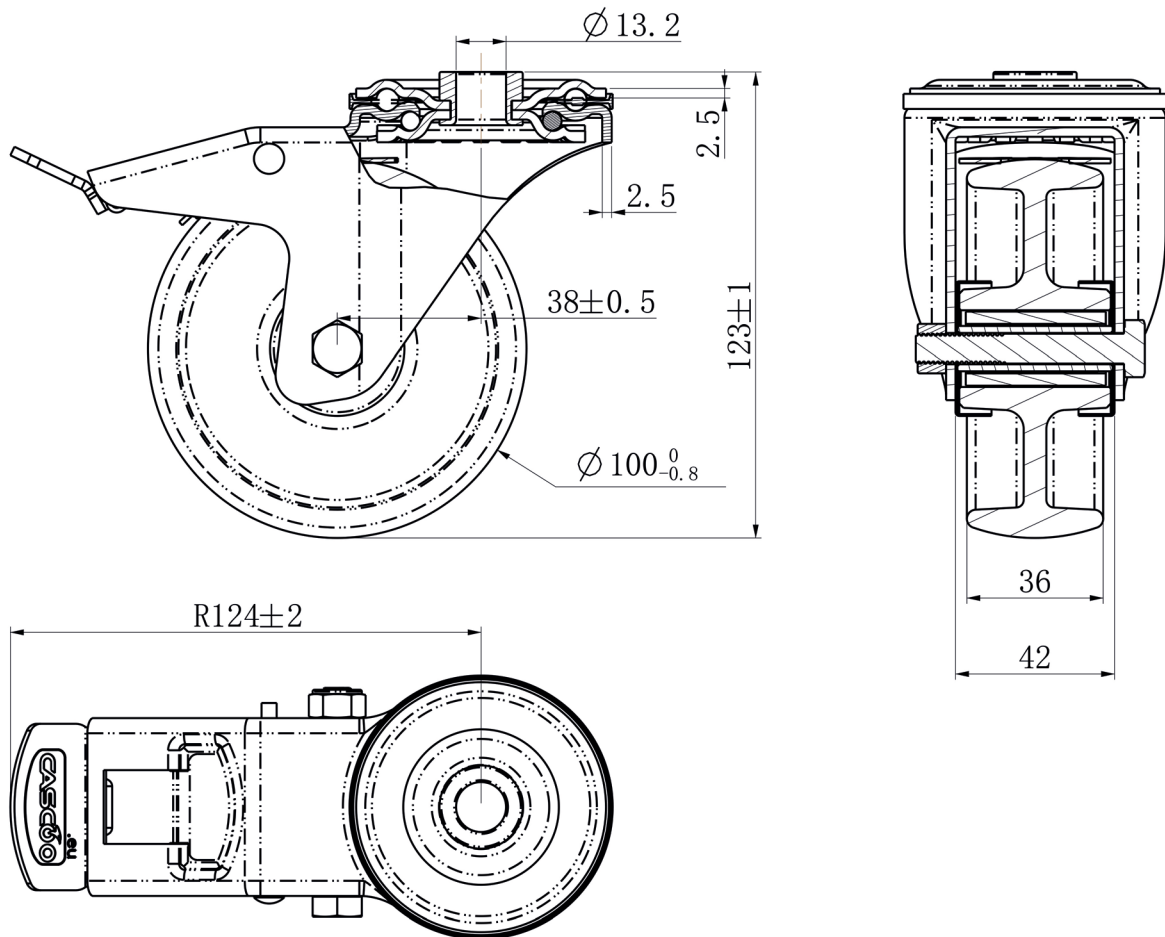
material thickness fitting in mm	2.50
material thickness fork in mm	2.50
fitting	bolt hole
mounting dimension in mm	13
offset dimension in mm	40
total height in mm	124
swivel radius in mm	127
dyn. load capacity in kg	150
test norm	DIN EN 12532

**CASCOO Europe GmbH**

Lütke Haar 15 • 59602 Rüthen • Germany
+49 2952 - 970629-0
info@cascoo.eu • www.cascoo.eu

BBH35WC100N0N0R1W

BOLT HOLE SWIVEL CASTOR WITH TOTAL BRAKE Ø 100 MM SERIES N0N0 ROLLER BEARING



CASCOO Europe GmbH

Lütke Haar 15 • 59602 Rüthen • Germany
+49 2952 - 970629-0
info@cascoo.eu • www.cascoo.eu