

BBH35WC100N0N0P0N

BOLT HOLE SWIVEL CASTOR WITH TOTAL BRAKE Ø 100 MM SERIES N0N0 PLAIN BEARING

WHEEL

| | |
|----------------------|------------------------------|
| wheel diameter in mm | 100 |
| wheel width in mm | 36 |
| hub width in mm | 40 |
| screw size | M8 |
| tread | polyamide white |
| wheel center | polyamide white |
| bearing | plain bearing |
| threadguard | without separate threadguard |
| temperature range | -40°C to +80°C |



HOUSING

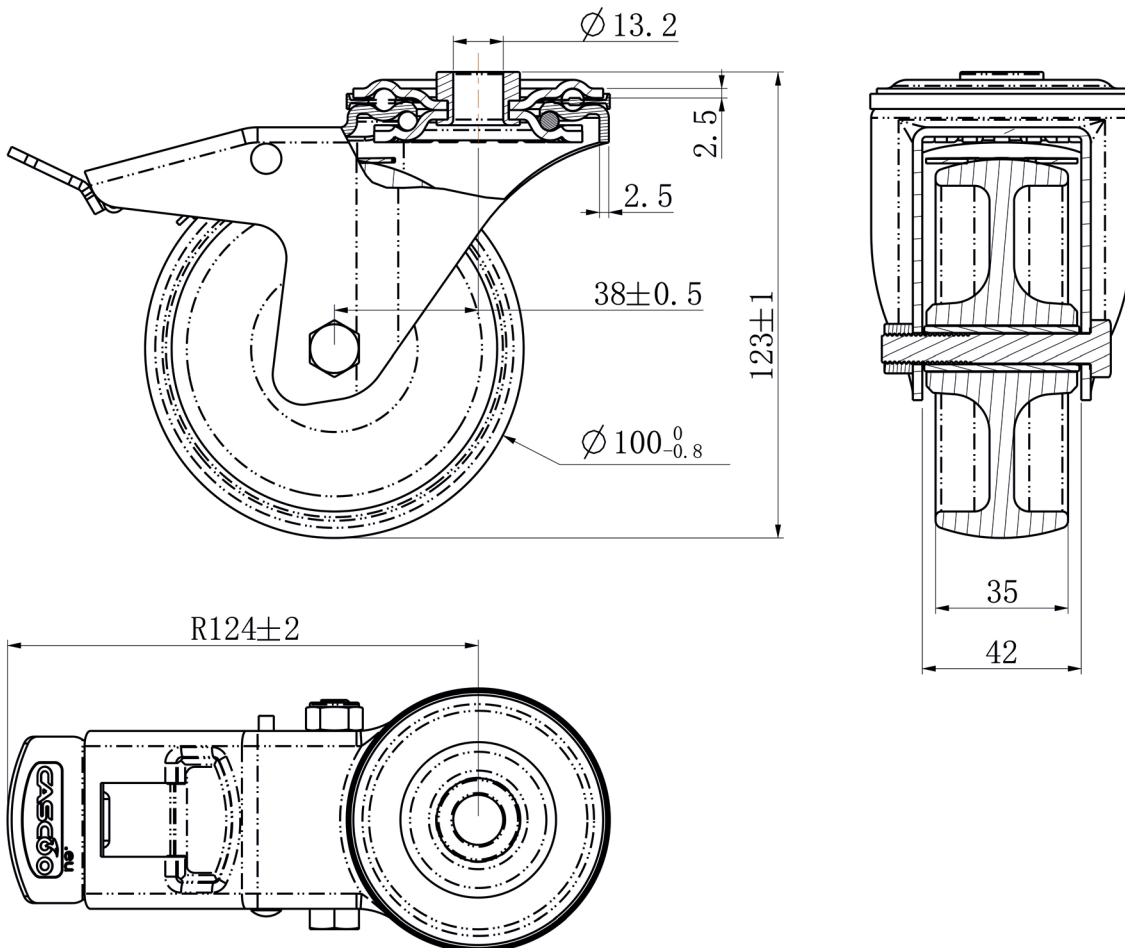
| | |
|----------------------------------|--------------|
| material thickness fitting in mm | 2.50 |
| material thickness fork in mm | 2.50 |
| fitting | bolt hole |
| mounting dimension in mm | 13 |
| offset dimension in mm | 40 |
| total height in mm | 124 |
| swivel radius in mm | 127 |
| dyn. load capacity in kg | 150 |
| test norm | DIN EN 12532 |

**CASCOO Europe GmbH**

Lütke Haar 15 • 59602 Rüthen • Germany
+49 2952 - 970629-0
info@cascoo.eu • www.cascoo.eu

BBH35WC100N0N0P0N

BOLT HOLE SWIVEL CASTOR WITH TOTAL BRAKE Ø 100 MM SERIES N0N0 PLAIN BEARING



CASCOO Europe GmbH

Lütke Haar 15 • 59602 Rüthen • Germany
+49 2952 - 970629-0
info@cascoo.eu • www.cascoo.eu